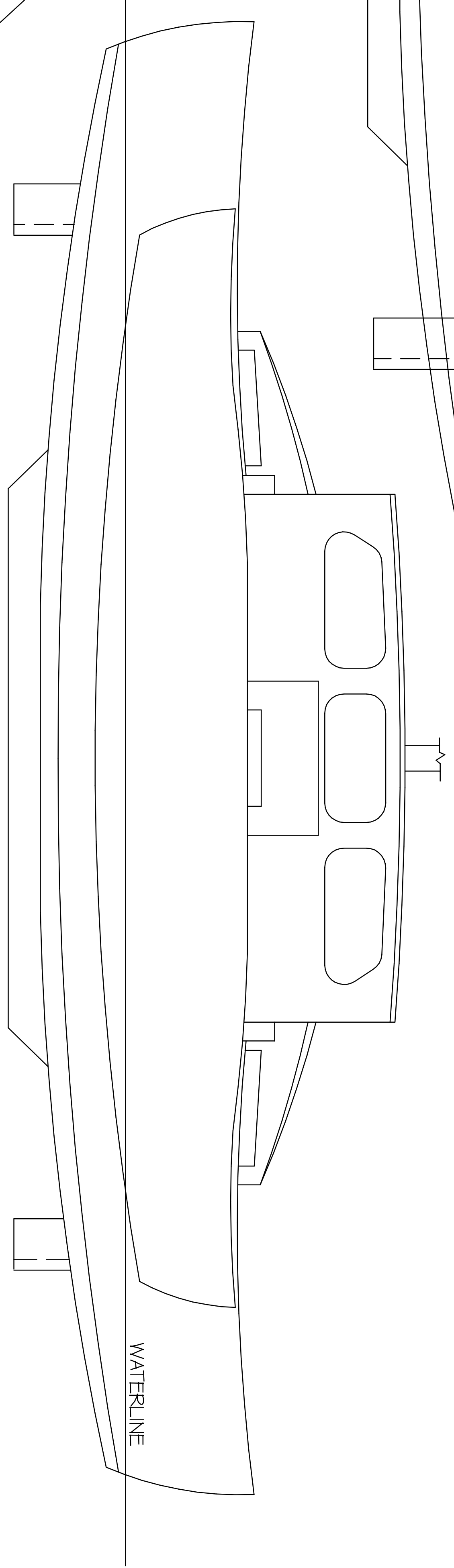
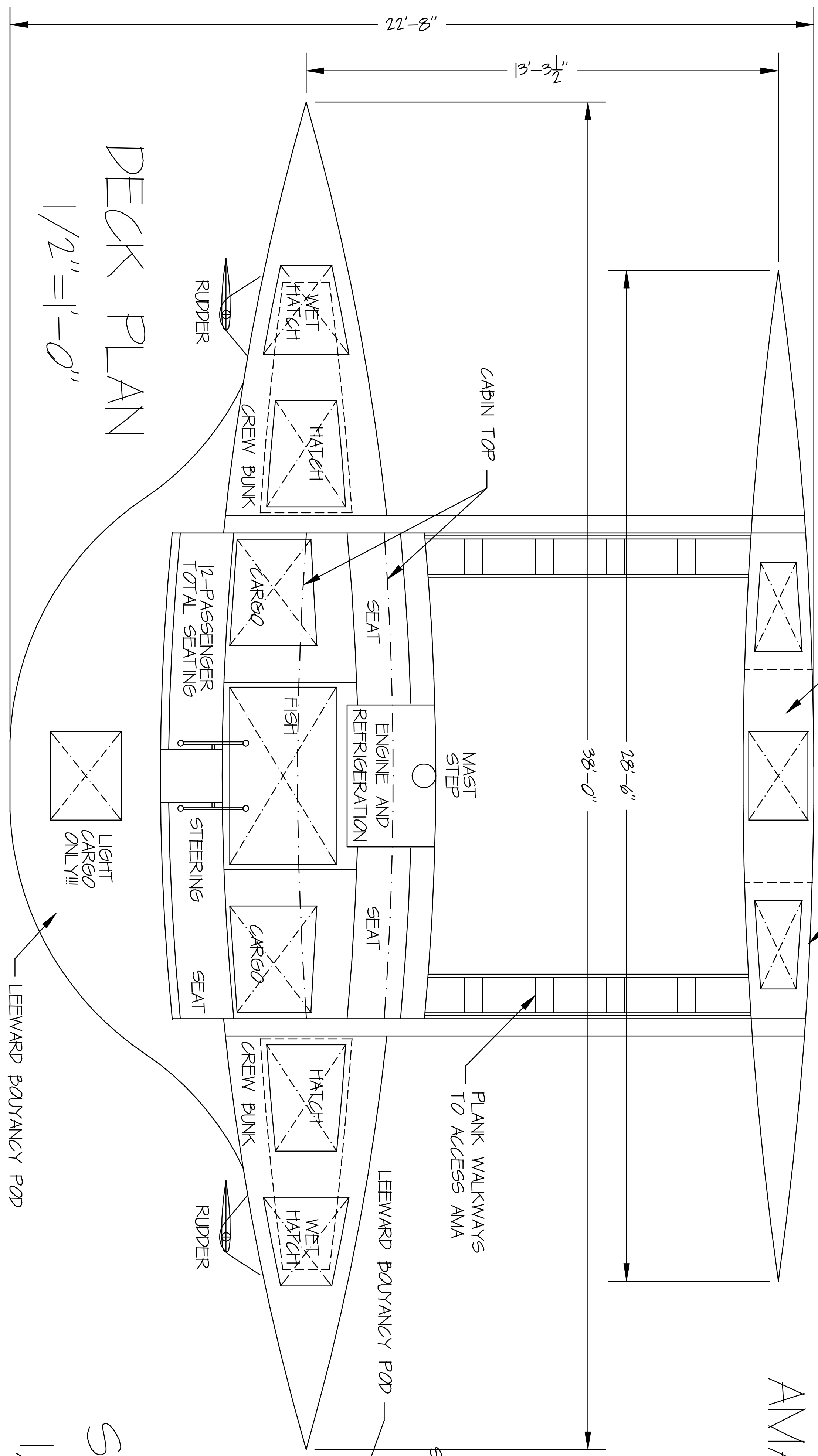


POD SIDE PROFILE
 1/2" = 1'-0"

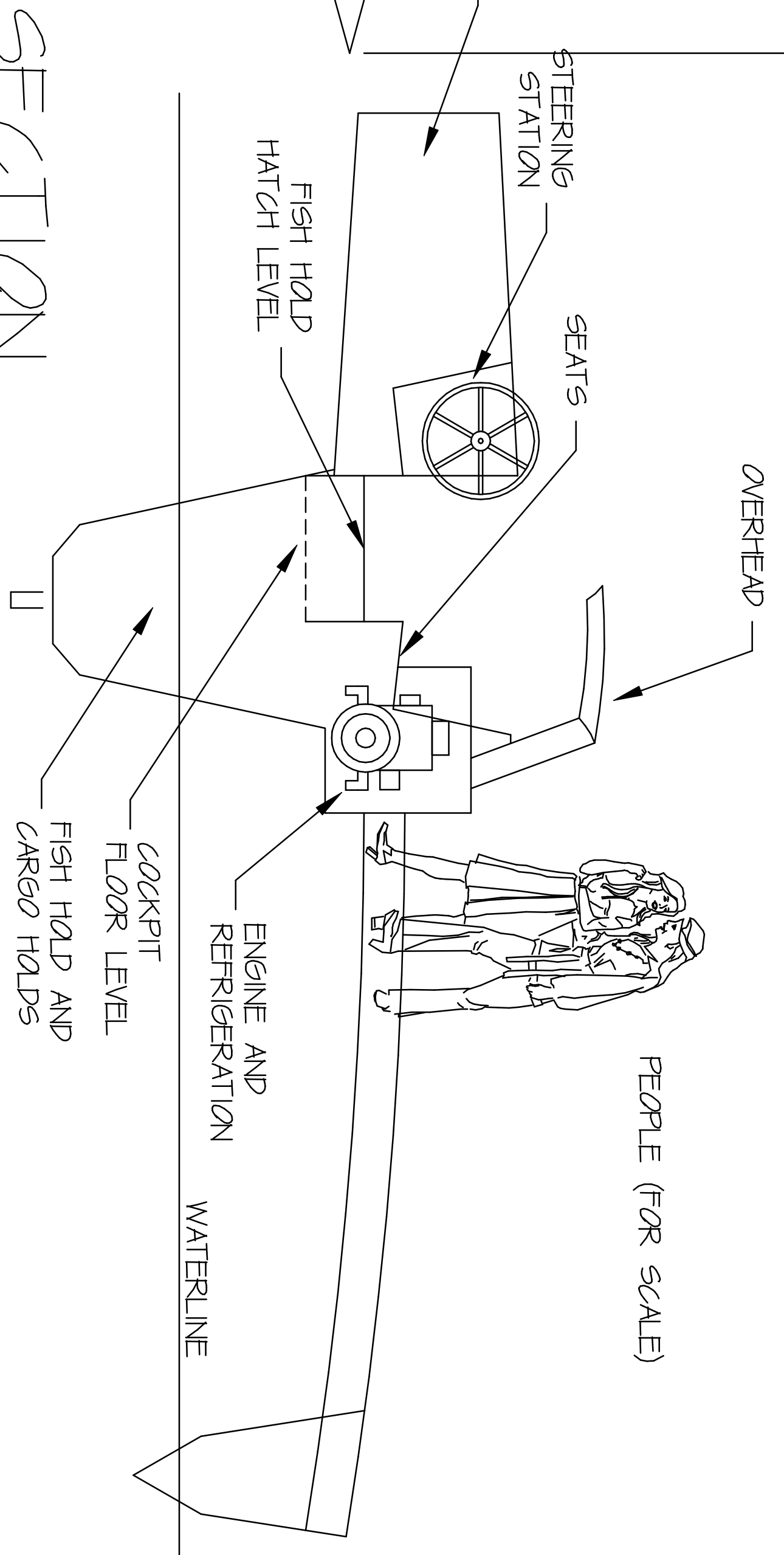


AMA SIDE PROFILE
 1/2" = 1'-0"

BOAT SPECIFICATIONS:
 LOA 38'-0"
 BOA 22'-8"
 DRAFT INCLUDING SKEG: 3'-0"
 DESIGN WEIGHT: 4240 POUNDS
 MAX LOADED WEIGHT: 6240 POUNDS



DECK PLAN
 1/2" = 1'-0"



SECTION
 1/2" = 1'-0"

PEOPLE (FOR SCALE)
 OVERHEAD
 SEATS
 STEERING STATION
 FISH HOLD HATCH LEVEL
 ENGINE AND REFRIGERATION
 COCKPIT FLOOR LEVEL
 FISH HOLD AND CARGO HOLDS
 WATERLINE